

6-WAY SELF-CLOSE HINGE ADJUSTMENT

1

Side Adjustment

+ / -1.5mm (1/16")

Rotate adjustment screw

2

Height Adjustment

+ / -2mm (3/32")

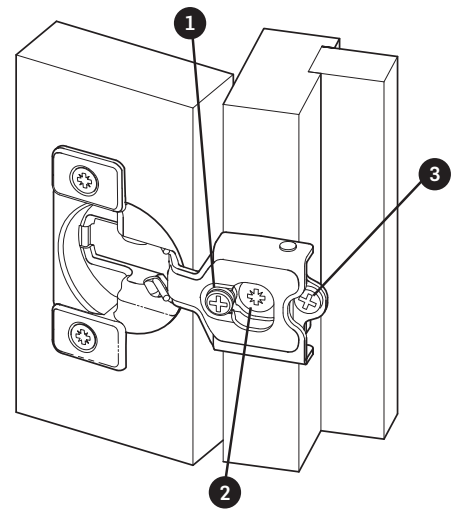
Loosen screw, align door, tighten screw

3

Depth Adjustment

+ 2.5mm (7/64"), -.05mm (1.32")

Rotate cam screw



Mounting Screws

Hinge cup to door, No. 6 x 5/8" Flat Head screw
Base plate to face frame, No. 10 x 3/4" Pan Head screw

GENTLE-TOUCH SOFT-CLOSE HINGE ADJUSTMENT

Innovative Three Tiered Adjustment

These three levels of adjustment provide a different level of resistance on the damping system in the soft-close mechanism.

The settings can be adjusted differently for each Gentle Touch Hinge on the door so you can personalize the closing resistance to meet your closing preferences regardless of the size and weight of the door.

NOTE: Hinges come factory set at the highest level of resistance. To change the resistance from any other setting, move the adjustment switch to 'Strong' first, then to the desired resistance level. Close the door and the soft-close will reset to the new selected resistance.



SOFT-CLOSE MECHANISM ADJUSTMENTS



STRONG

This setting of resistance provides a slow, smooth closing action. This level will accommodate larger heavier doors.



MEDIUM

To achieve less resistance.

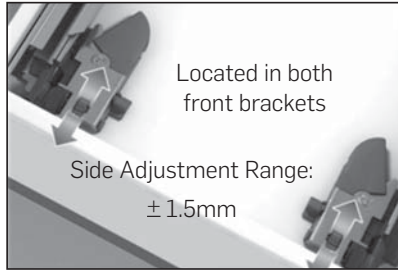


LIGHT

To achieve the least amount of resistance.

DYNAPRO – UNDERMOUNT SOFT-CLOSE DRAWER GUIDE ADJUSTMENTS

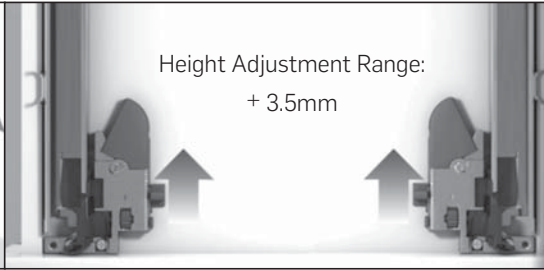
**SIDE
ADJUSTMENT**



Located in both
front brackets

Side Adjustment Range:
 $\pm 1.5\text{mm}$

**HEIGHT
ADJUSTMENT**



Height Adjustment Range:
 $+ 3.5\text{mm}$